

PART NAME

NEMA 4X ENCLOSURE

PART No.

AN-1314, AN-1314-G, AN-2814 & AN-2814-B

REV. DATE

2-12-04

MATERIAL: ALUMINUM ALLOY #ADC-10

FINISH: NATURAL (NO SUFFIX)

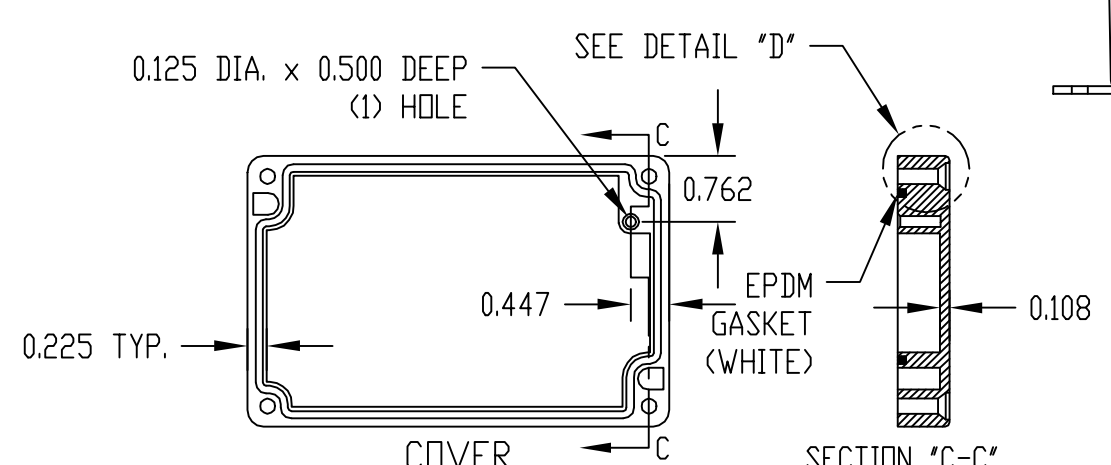
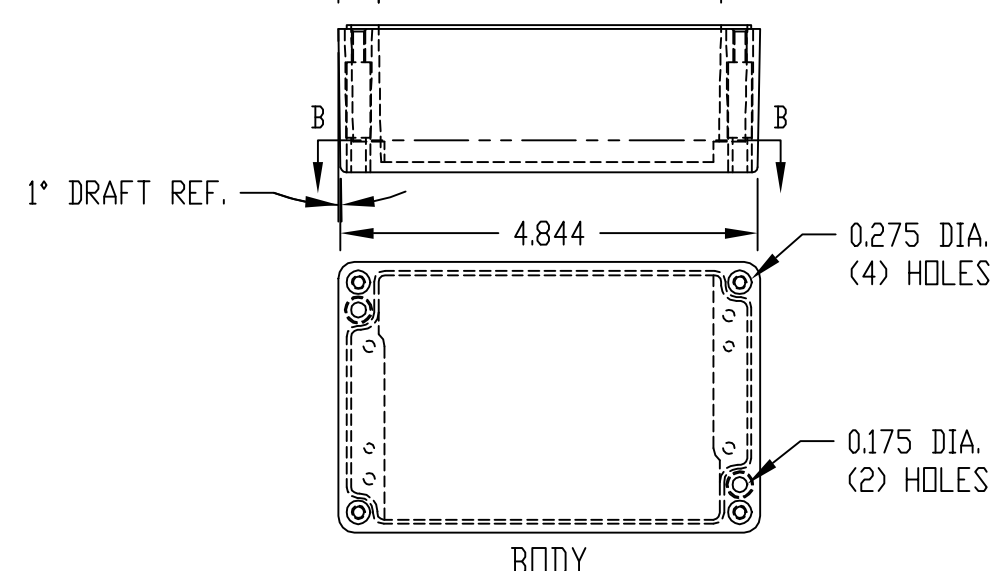
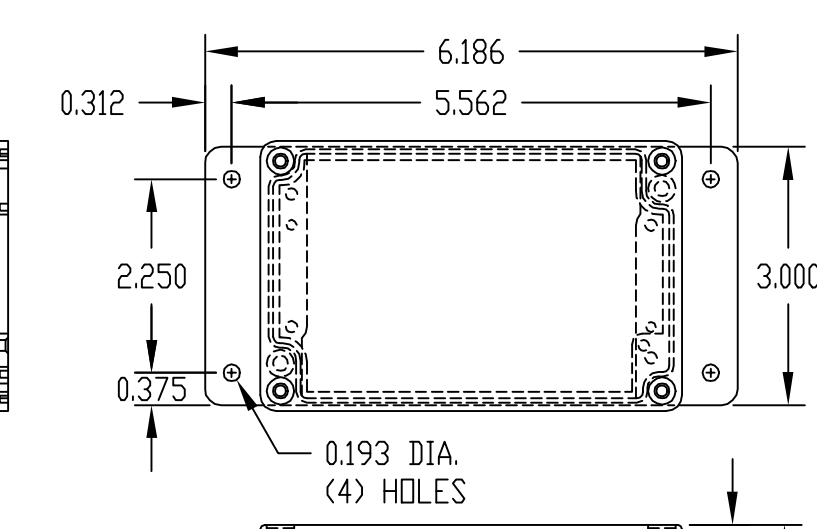
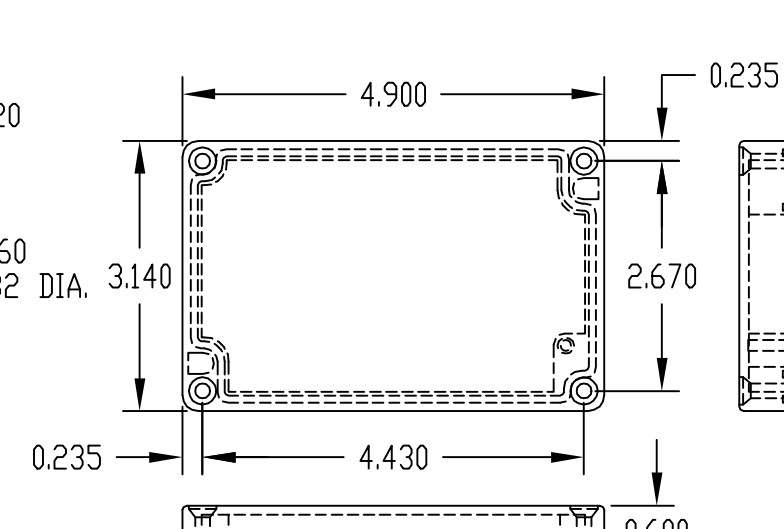
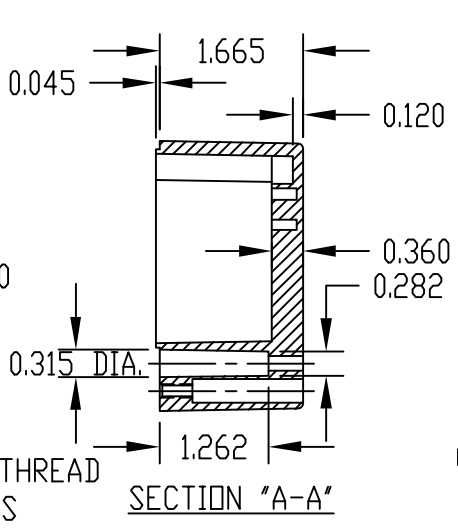
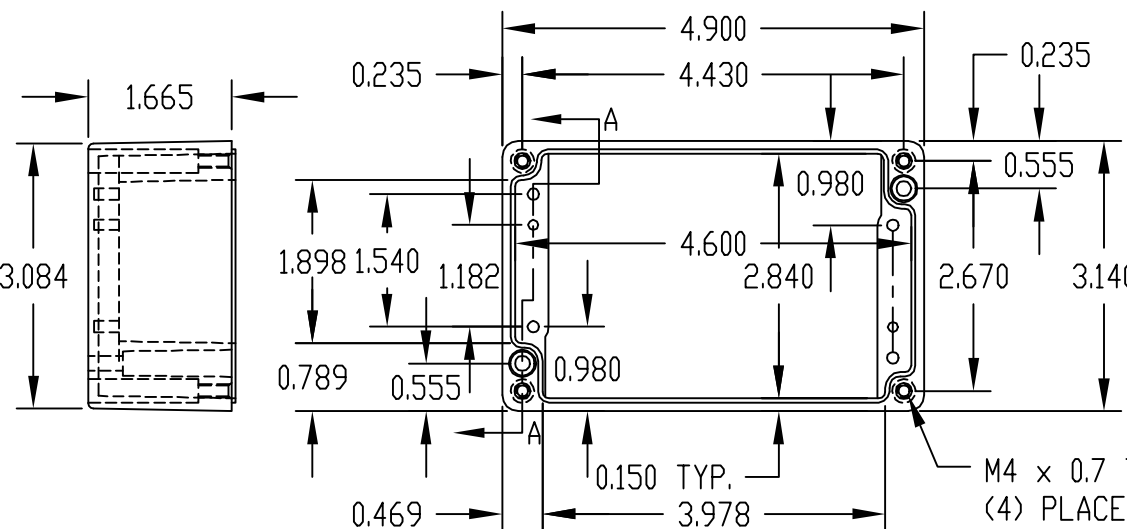
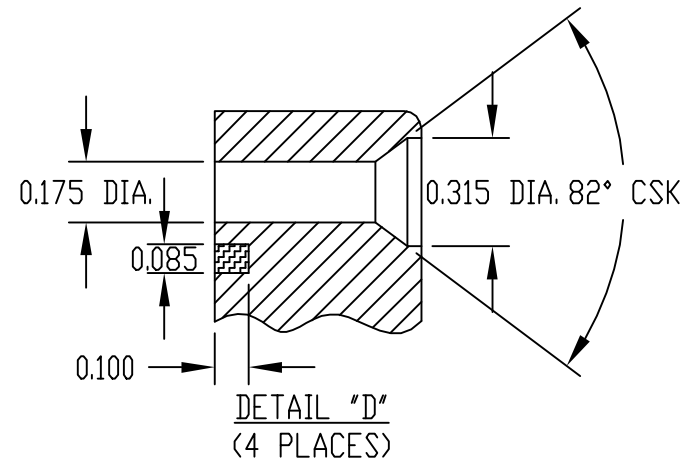
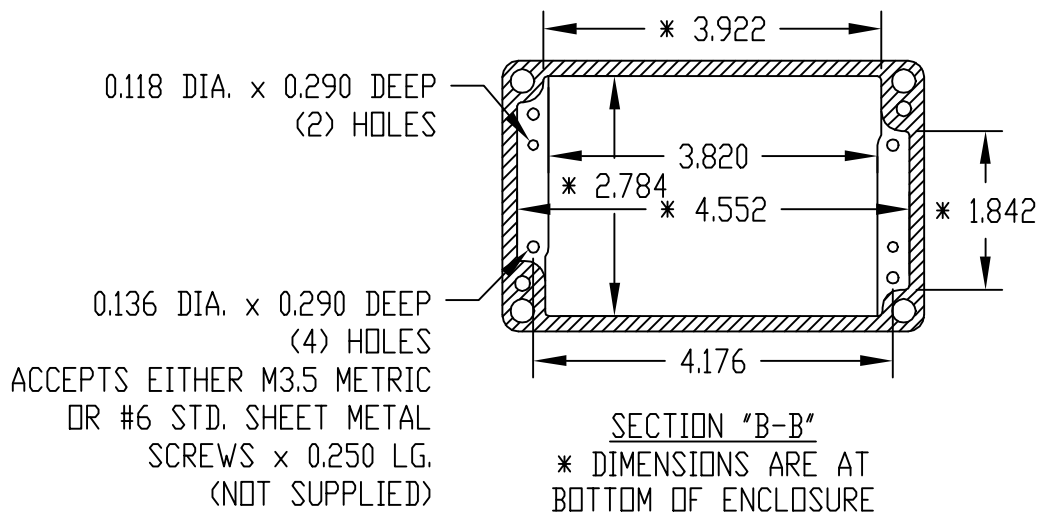
GRAY (SUFFIX -G)

SMOOTH BLACK (SUFFIX -B)

FOUR (4) M4 x 25mm (0.975") LG. SCREWS SUPPLIED FOR ASSEMBLY.

TWO (2) M3.5 x 6mm LG. NICKEL PLATED SCREWS AND WASHERS SUPPLIED FOR GROUNDING

ALL DIMENSIONS HAVE ±0.015 TOLERANCE UNLESS OTHERWISE SPECIFIED



PART NO. AN-2814 & AN-2814-B ARE SUPPLIED WITH A WELDED ON MOUNTING BRACKET ONLY.